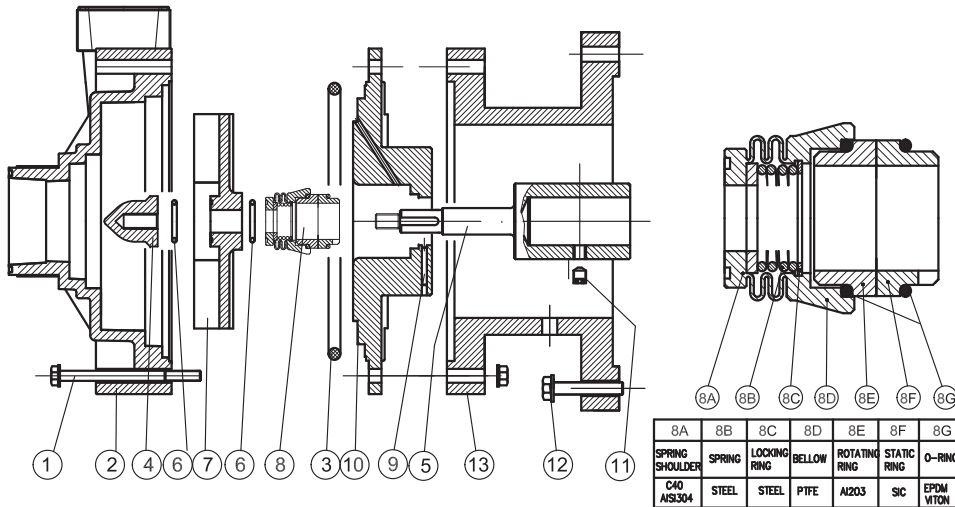


FEATURES/CARATTERISTICHE

Materials available/Materiali disponibili:	PP-PVDF
Max flow/Portata massima:	25 m ³ /h
Max head/Prevalenza massima:	16 m
Max temperature/Temperatura massima:	PP 60°C/PVDF 90°C
Max viscosity/Viscosità massima:	200 cSt
Pressure rating/Pressione nominale massima:	NP/PN 4 @ 20°C
Seal/Tenuta:	Internal PTFE bellows mechanical seal/Tenuta meccanica interna con soffiello in PTFE

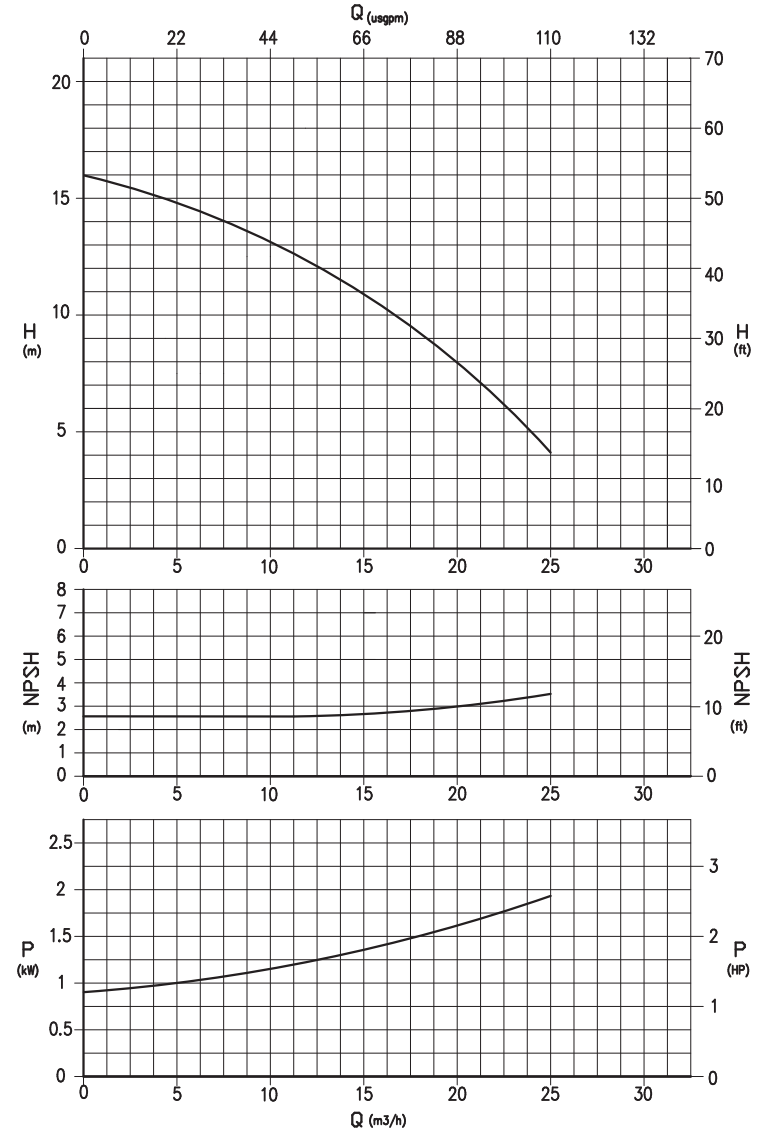
SECTION AND PARTS LIST/SEZIONE E LISTA PARTI



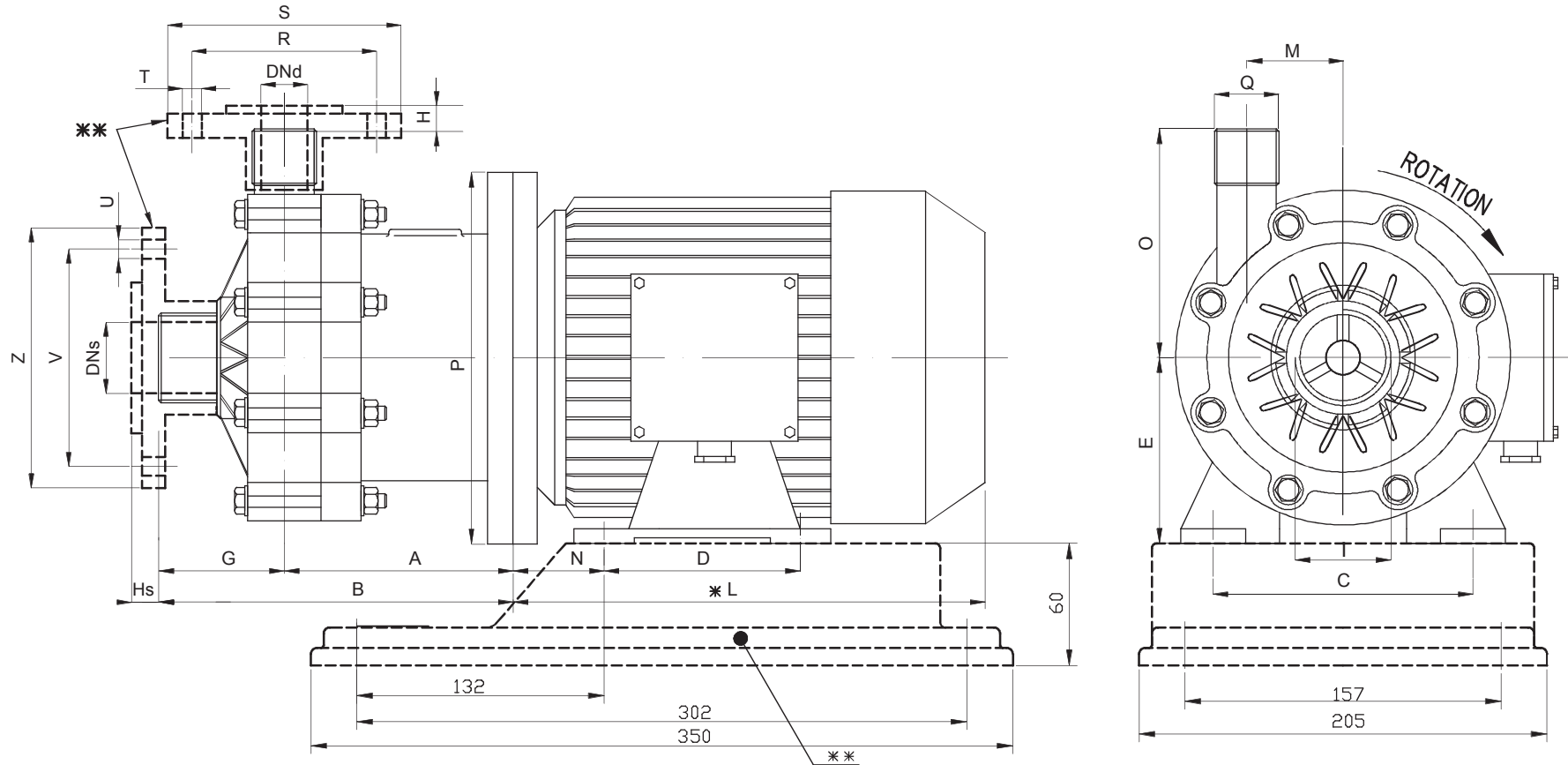
POS.	1	2	3	4	5	6	7	8	9	10	11	12	13
PART DESCR.	SET SCREWS	PUMP HEAD	O-RING	IMPELLER NUT	SHAFT	O-RING	IMPELLER	MECHANICAL SEAL	PIN	COVER	GRUB SCREW	SET SCREWS	BRACKET
MAT.	AISI304	PP-PVDF	EPDM VITON	PP-PVDF	C40 AISI316	EPDM VITON	PP-PVDF	●	AISI304	PP-PVDF	AISI304	AISI304	PP

8A	8B	8C	8D	8E	8F	8G
SPRING SHOULDER	SPRING	LOCKING RING	BELLOW	ROTATING RING	STATIC RING	O-RING
C40 AISI304	STEEL	STEEL	PTFE	AI203	SIC	EPDM VITON

CURVES/CURVE 50HZ-2900 RPM



DIMENSIONS/DIMENSIONI D'INGOMBRO



PUMP TYPE	MOTOR FLANGE B3-B5	POT. Kw	DIMENSIONS - mm -														FLANGES DIN PN 10-DIMENSIONS - mm -								
			A	B	C	D	E	Hs	G	H	I	*L	M	N	O	P	Q	R	S	T	U	V	Z	DNs	DNd
HCO 120	G 90 S	1.5	209	290	140	100	90	10	91	13	2 1/2" MALE	255	66	56	140	200	2"	125	168	18	18	145	188	65	50

* Different according to the manufacturer / Diverso a seconda del fornitore

** OPTIONAL-UPON REQUEST/SU RICHIESTA: Baseplate/Piede d'appoggio - Flanges/Flange