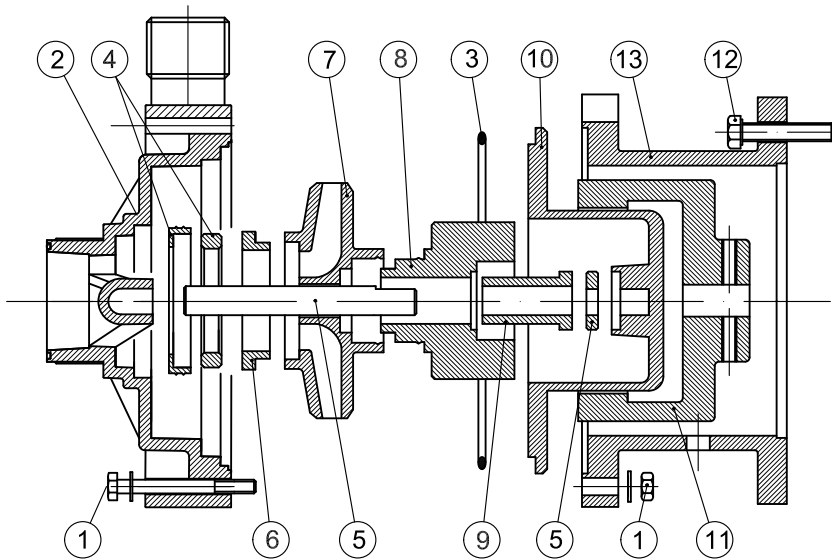


FEATURES/CARATTERISTICHE

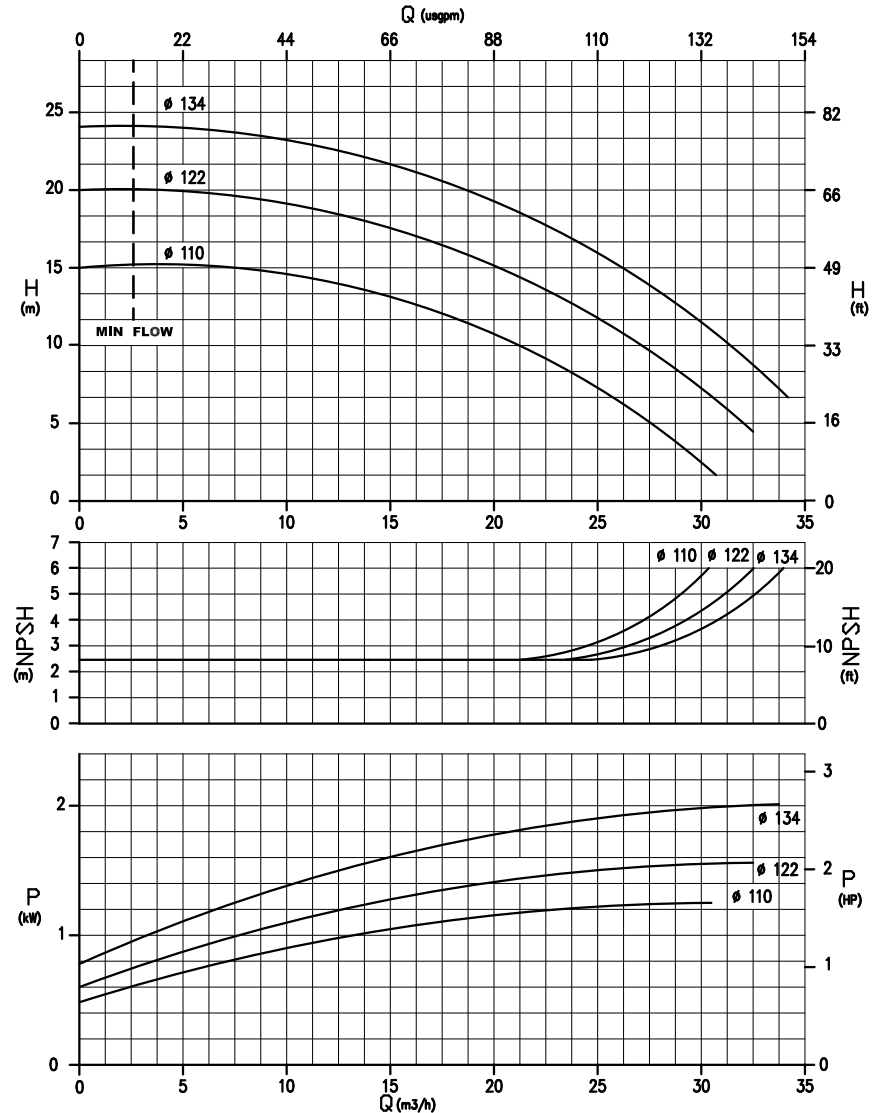
Materials available/Materiali disponibili:	PP-PVDF
Max flow/Portata massima:	35 m ³ /h
Max head/Prevalenza massima:	24 m
Max temperature/Temperatura massima:	PP 60°C/PVDF 90°C
Max viscosity/Viscosità massima:	200 cSt
Pressure rating/Pressione nominale massima:	NP/PN 4 @ 20°C
Pump weight/Peso pompa:	PP: 8.0 Kg PVDF: 8.9 Kg

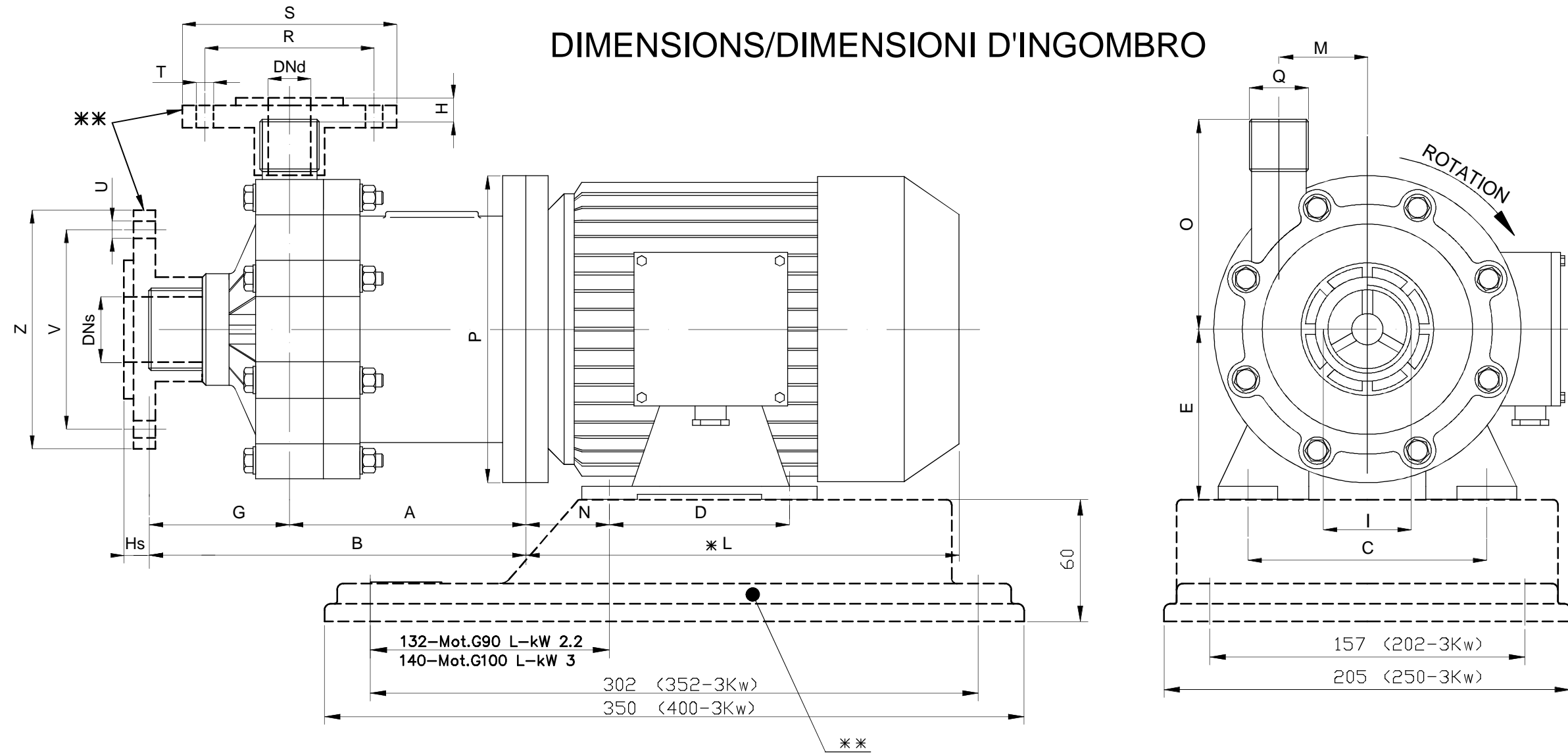
SECTION AND PARTS LIST/SEZIONE E LISTA PARTI



POS.	1	2	3	4	5	6	7	8	9	10	11	12	13
PART DESCR.	SET SCREWS	FRONT CASING	O-RING	CASING THRUST BUSH	SHAFT+ RING	IMPELLER THRUST BEARING	IMPELLER	INT. MAGNET	BEARING	REAR CASING	EXT. MAGNET	SET SCREWS	BRACKET
MATERIALS	AISI304	PP PVDF	EPDM VITON	Al ₂ O ₃ EPDM VITON	Al ₂ O ₃	PTFEC	PP PVDF	PP PVDF NeFeb	PTFEC	PP PVDF	Fe NeFeb	AISI304	PP

CURVES/CURVE 50HZ-2900 RPM





PUMP TYPE	MOTOR FLANGE B3-B5	POT. Kw	DIMENSIONS - mm -															FLANGES DIN PN 10-DIMENSIONS - mm -							
			A	B	C	D	E	Hs	G	H	I	*L	M	N	O	P	Q	R	S	T	U	V	Z	DNs	DNd
HTM 31	G 90 L	2.2	183	274	140	125	90	14	91	13	2 1/2" MALE	280	66	56	140	200	2"	125	168	18	18	145	188	65	50
HTM 31	G 100 L	3	203	294	160	140	100	14	91	13	2 1/2" MALE	315	66	63	140	250	2"	125	168	18	18	145	188	65	50

* Different according to the manufacturer / Diverso a seconda del fornitore
 ** OPTIONAL-UPON REQUEST/SU RICHIESTA: Baseplate/Piede d'appoggio - Flanges/Flange